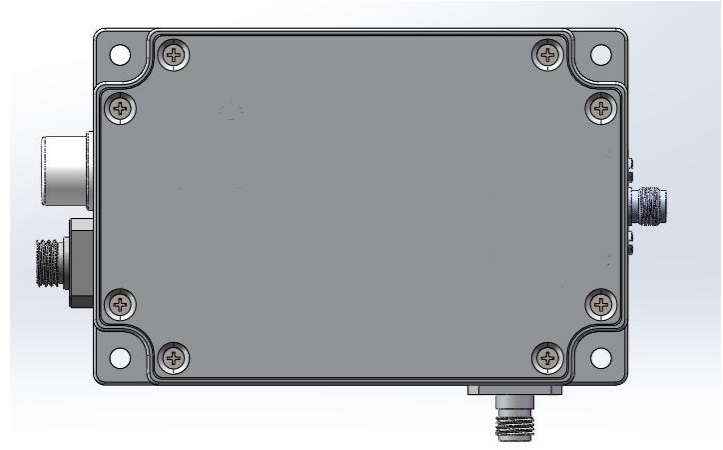


DMX61 High-Speed Photodetector Gain Amplification

Features

- Maximum operating frequency: 18 GHz
- High conversion gain
- Single-supply operation: +15 V
- Received optical power monitoring
- RF output matched to 50 Ω
- Ultra-fast response



Applications

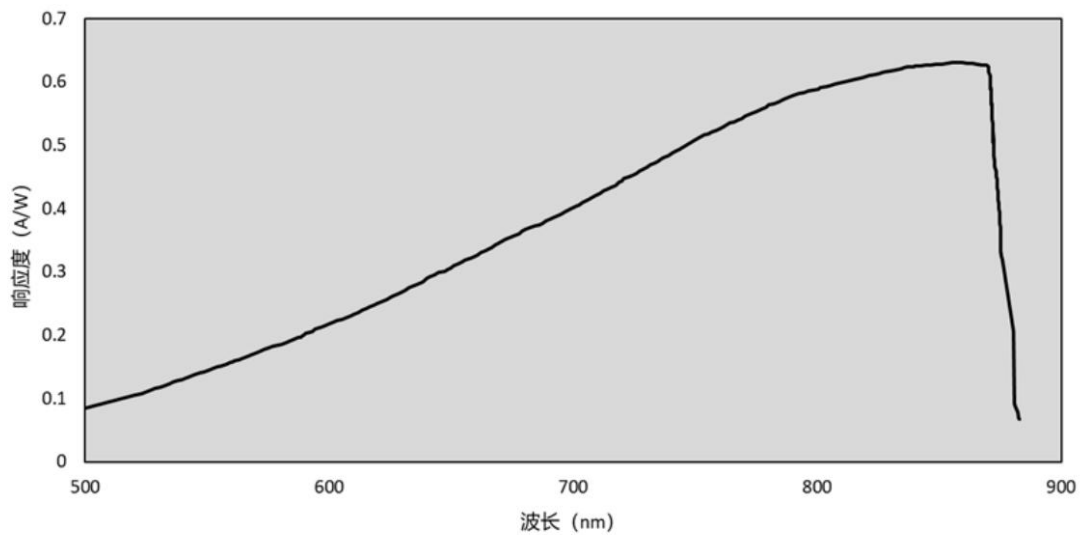
- Fast synchronization
- Optical-to-RF transmission
- Optical fiber delay lines
- High-speed pulse signal transmission
- High-speed test and measurement
- Distributed antenna systems

Specifications

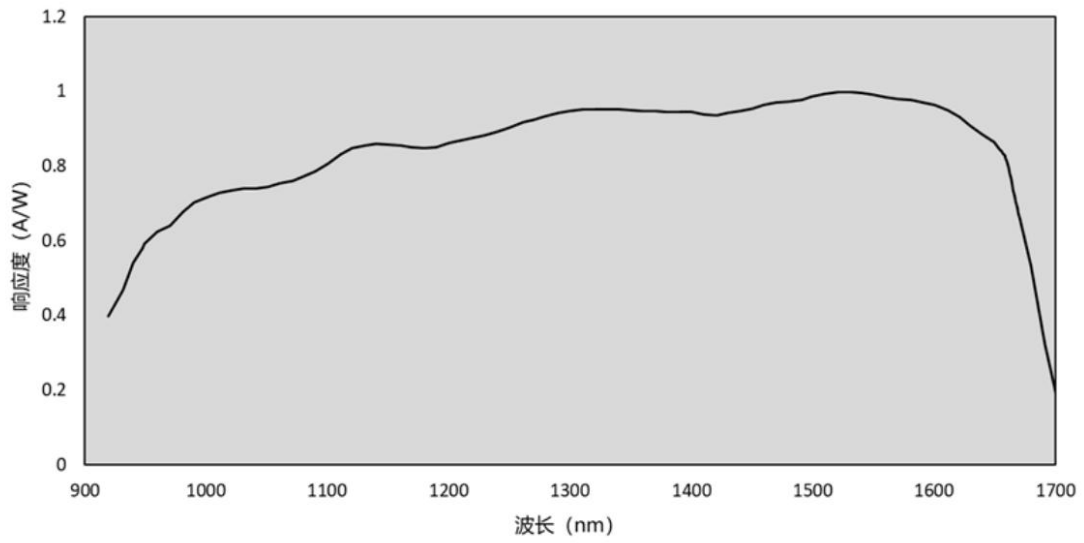
Model	DMX61A-12G	DMX61C-12G	DMX61C-14G	DMX61C-18G
Fiber Optic Connector	FC Flange (Single-mode/Multimode Fiber)			
Wavelength Range	500-870nm	900-1700nm		
Sensitivity	0.55A/W @850nm	0.95A/W @1550nm	0.95A/W @1550nm	0.70A/W @1550nm

Bandwidth	9k-12GHz	9k-12GHz	9k-14GHz	9k-18GHz
Rise Time	30ps	30ps	25ps	20ps
Transmission Gain	-1200V/W	-1600V/W	-2500V/W	2000V/W
Gain Flatness	±1.5dB	±1.5dB	±1.5dB	±1.5dB
NEP	50pW/√Hz	30pW/√Hz	30pW/√Hz	36pW/√Hz
Saturation Power	10dBm			
Back Reflection	-40dB	-40dB	-40dB	-40dB
DC Offset Monitoring Gain	1V/mA	1V/mA	1V/mA	1V/mA
DC Offset Monitoring Bandwidth	50kHz	50kHz	50kHz	50kHz
DC Offset Output Voltage	0.01-10V	0.01-10V	0.01-10V	0.01-10V
Output Impedance	50Ω			
Output Coupling	AC/DC			
Output Connector	2.92mm Female			
Operating Voltage	+15VDC			
Operating Temperature	-10~65°C			
Storage Temperature	-40~85°C			

Response Curve

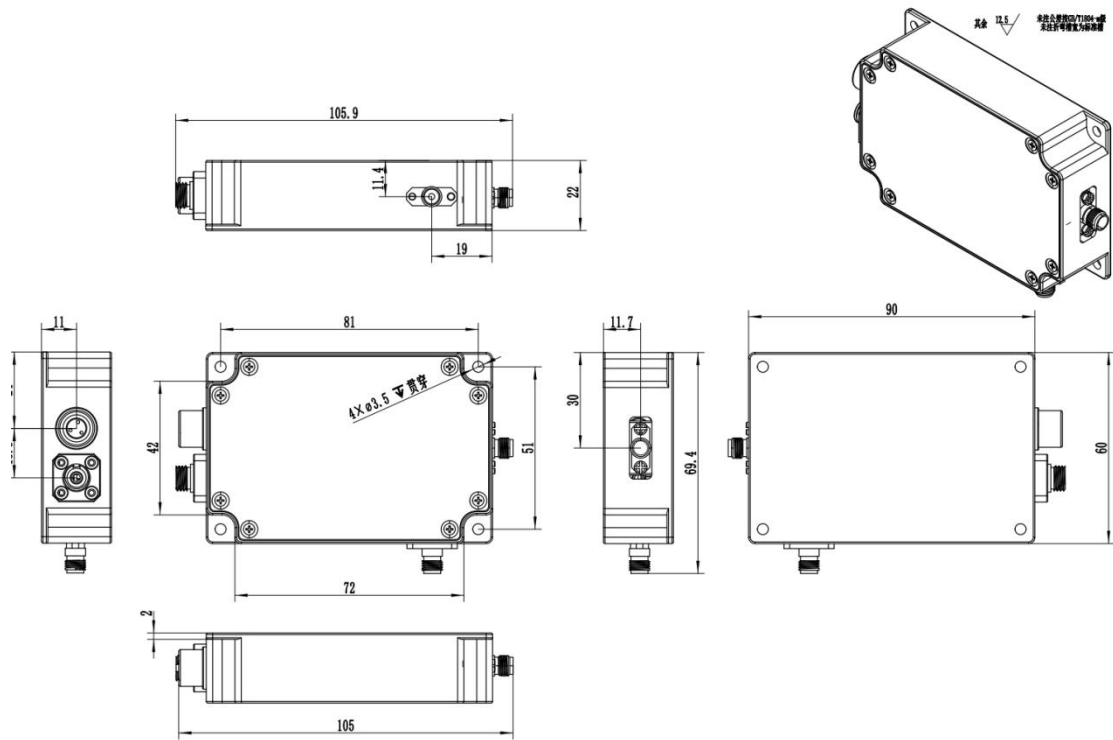


Response Curve



DMX61C Response Curve

Mechanical Dimensions



Packing List

NO	Item Name	Quantity	Unit	Remarks
1	Photodetector	1	each	
2	Power Adapter	1	each	15V